

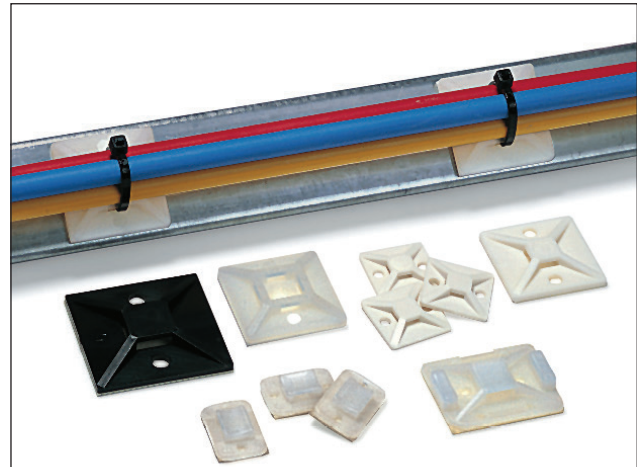
## TY Self Adhesive Cable Tie Mounts

### Features and Benefits

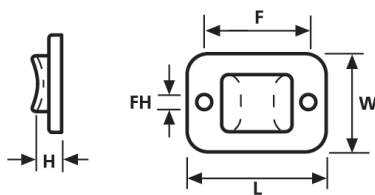
TY mounts are particularly suitable for applications with minimal space - they are mounted into the equipment prior to cable installation. The cables can be attached using a range of standard cable ties.

### Application

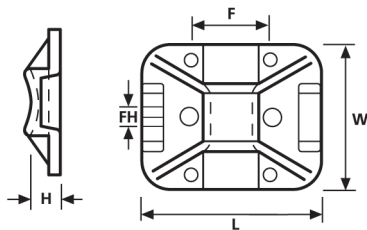
These products are designed for simple, yet robust, installation in a wide variety of applications - particularly used in telecoms equipment, switchgear and control cabinets.



Cable Tie Mounts MB and TY



Cable Tie Mounts TY3G1 (S)



Cable Tie Mounts TY8G1 (S)

### Material Data

RoHS

Material	Polyamide 6.6 (PA66)
Colour	Black (BK), Natural (NA)
Operating Temperature	-40°C to +105°C Continuous, (+145°C for 500 h)
Flammability	UL94 V2

HF  
(halogenfree)

### Product Selection

Code	Length (L)	Width (W)	Height (H)	Fixing Hole Ø (FH)	Fixing Hole Centres (F)	Strap Width max. (G)	Material	Colour	Adhesive
TY3BK	20.0	14.0	3.7	2.2	15.0	4.0	PA66	Black (BK)	-
TY3NT	20.0	14.0	3.7	2.2	15.0	4.0	PA66	Natural (NT)	Acrylate
TY8BK	32.0	25.0	5.2	3.2	15.0	8.0	PA66	Black (BK)	-
TY8NT	32.0	25.0	5.2	3.2	15.0	8.0	PA66	Natural (NT)	Acrylate

All dimensions in mm. Subject to technical changes.

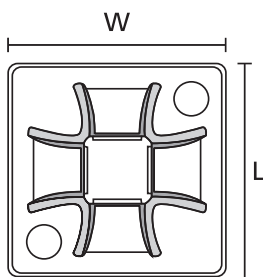


Please Note for Product Specific Approvals please refer to Appendix.

## Self Adhesive / Screw Fixing Cable Tie Mounts

### Q-mount Series QM

Q-mounts allow a "4-way" entry for Q-ties and are available in a screwable or self adhesive version. Due of the special design of the mounting base, they offer a perfect solution in combination with the Q-tie cable ties. The Q-mount keeps the Q-tie in place during pre-assembly and ensures that the Q-tie does not slip out even in difficult situations, for example vertical mounting positions.



Mounting Base Q-mount

#### Synthetic Rubber

RoHS	Bass Material	PE foam
	Temperature range	at least -40°C to 60°C

HF  
(halogenfree)



Q-mount QM, 4-way entry, adhesive/screwable.



The Q-mount base locks the Q-tie in vertical position, your hands are free to apply the cables.

#### Material Data

RoHS	Material	Polyamide 6.6 (PA66)
	Colour	Natural (NA), Black (BK)
	Operating Temperature	-40°C to +85°C Continuous, (+105°C for 500 h)
	Flammability	UL94 V2 (excluding adhesive)

HF  
(halogenfree)

#### Technical Table

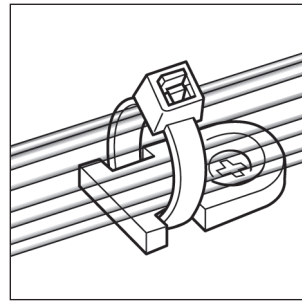
Article-No.	Type	Length (L)	Width (W)	Height (H)	Fixing Hole Ø (FH)	Strap Width max. (G)	Material	Colour	Adhesive
151-10901	QM20	20.0	20.0	3.7	3.1	4.0	PA66	Natural (NA)	–
151-10902	QM30	30.0	30.0	4.5	4.1	5.1	PA66	Natural (NA)	–
151-10903	QM40	40.0	40.0	5.5	4.1	8.4	PA66	Natural (NA)	–
151-10904	QM20A	20.0	20.0	3.7	3.1	4.0	PA66	Natural (NA)	Synthetic rubber
151-10905	QM30A	30.0	30.0	4.5	4.1	5.1	PA66	Natural (NA)	Synthetic rubber
151-10906	QM40A	40.0	40.0	5.5	4.1	8.4	PA66	Natural (NA)	Synthetic rubber
151-10911	QM20	20.0	20.0	3.7	3.1	4.0	PA66	Black (BK)	–
151-10912	QM30	30.0	30.0	4.5	4.1	5.1	PA66	Black (BK)	–
151-10913	QM40	40.0	40.0	5.5	4.1	8.4	PA66	Black (BK)	–
151-10914	QM20A	20.0	20.0	3.7	3.1	4.0	PA66	Black (BK)	Synthetic rubber
151-10915	QM30A	30.0	30.0	4.5	4.1	5.1	PA66	Black (BK)	Synthetic rubber
151-10916	QM40A	40.0	40.0	5.5	4.1	8.4	PA66	Black (BK)	Synthetic rubber

All dimensions in mm. Subject to technical changes.

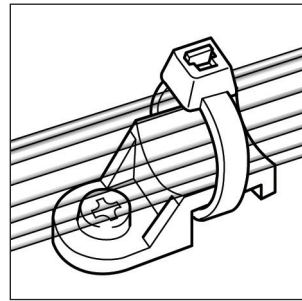
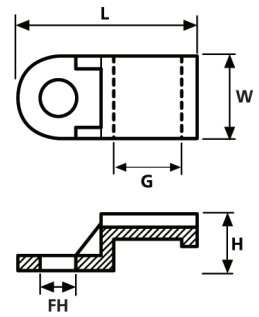
## CTAM and CTAP, MB and TY Cable Tie Mounts

### Material Data

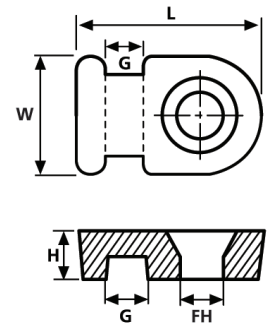
RoHS	Material	Polyamide 6.6 (PA66)	HF (halogenfree)
	Colour	Black (BK), Natural (NT)	
	Operating Temperature	-40°C to +85°C Continuous, (+105°C for 500 h)	
	Flammability	UL94 V2	



Cable Tie Mounts MB1/MB2



Cable Tie Mounts TY3/TY8



### Product Selection

Code	Length (L)	Width (W)	Height (H)	Fixing Hole $\varnothing$ (FH)	Strap Width max. (G)	Material	Colour
MB1	12.5	8.0	3.5	2.9	2.6	PA66	Natural (NT)
MB1	12.5	8.0	3.5	2.9	2.6	PA66	Black (BK)
MB2	20.5	12.5	3.3	5.0	5.0	PA66	Natural (NT)
MB2	20.5	12.5	3.3	5.0	5.0	PA66	Black (BK)
TY3F1	19.0	8.0	5.7	3.5	5.0	PA66	Natural (NT)
TY8F1	22.4	10.0	5.8	4.5	8.0	PA66	Natural (NT)

All dimensions in mm. Subject to technical changes.

\* = Width of hole

## CTAM and CTAP, MB and TY Cable Tie Mounts

### Features and Benefits

CTAM, MB & TY mounts are particularly suitable for applications with minimal space. They are mounted onto the equipment prior to cable installation as they are installed 'in line' and take up no more space than the cable itself.

The CTAM has a '4-way' entry design and can be used either 'in line' or at 90°C to the cable run.

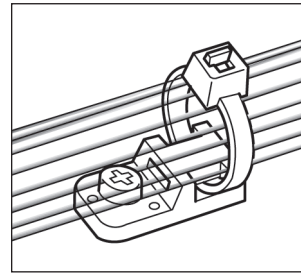
The CTAP mounts offer an adjustable 'stand off' feature allowing the cable run to be precisely positioned.

### Application

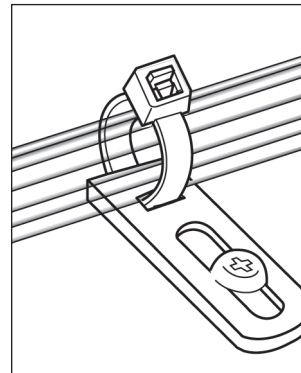
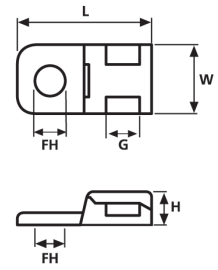
Each of these products offer particular benefits, but all are designed for simple, yet robust, installation in a wide variety of applications. Particularly used in telecoms equipment, switchgear and control cabinets.

#### Material Data

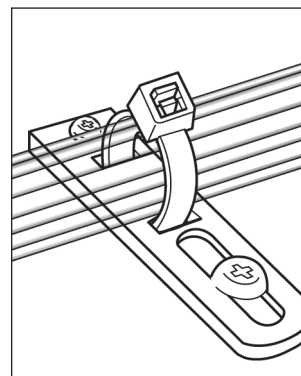
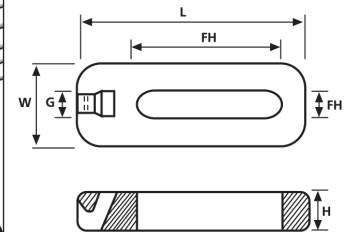
RoHS	Material	Polyamide 6.6 (PA66)
	Colour	Natural (NT)
	Operating Temperature	-40°C to +85°C Continuous, (+105°C for 500 h)
	Flammability	UL94 V2



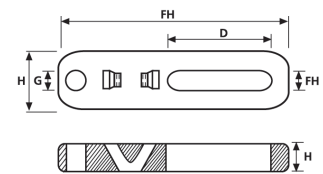
Cable Tie Mounts CTAM1/CTAM2



Cable Tie Mounts CTAP1



Cable Tie Mounts CTAP2



#### Product Selection

Code	Length (L)	Width (W)	Height (H)	Fixing Hole Ø (FH)	Strap Width max. (G)	Material	Colour
CTAM1	20.4	10.2	5.1	4.3	4.6	PA66	Natural (NT)
CTAM2	20.4	10.2	5.1	5.2	4.6	PA66	Natural (NT)
CTAP1	34.04	12.70	3.81	5.0* x 19.0	5.0	PA66	White (WH)
CTAP2	54.1	12.7	3.5	5.0* x 19.0	5.0	PA66	Natural (NT)

All dimensions in mm. Subject to technical changes.

\* = Width of hole

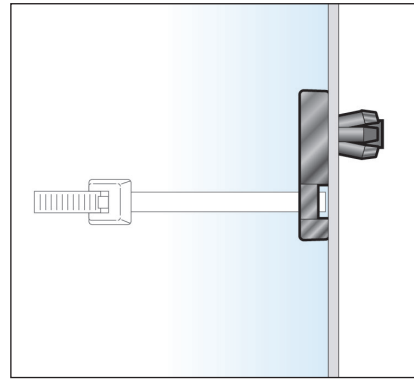
## LKC and NY Cable Tie Mounts

### Features and Benefits

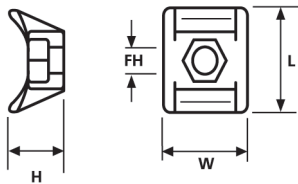
LKC Cable Tie Mounts give additional support to the cable bundles by means of their curved design. Simple to install with a screw or bolt they give excellent security, particularly in areas of high vibration.

### Application

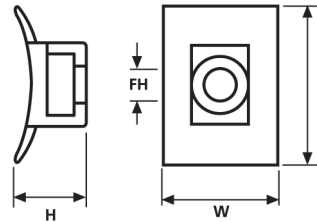
Designed specifically for holding heavier cable bundles these mounting bases can be used in many industries from agriculture to truck manufacture. They offer a very secure fixing and can be used with a wide variety of heavy duty cable ties up to 13 mm wide.



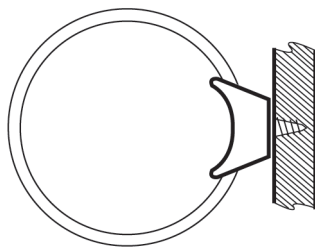
LKCRF1



Cable Tie Mounts NY3256/3343



Cable Tie Mounts LKC Series



Wall fastening

#### Material Data

RoHS	Material	Polyamide 6.6 (PA66)
	Colour	Natural (NT), Black (BK)
	Operating Temperature	-40°C to +85°C Continuous, (+105°C for 500 h)
	Flammability	UL94 V2



#### Product Selection

Code	Length (L)	Width (W)	Height (H)	Fixing Hole Ø (FH)	Strap Width max. (G)	Material	Colour
LKC	25.0	17.0	13.5	5.5	8.0	PA66	Black (BK)
LKC	25.0	17.0	13.5	5.5	8.0	PA66	Natural (NT)
LKCSF1	40.0	19.0	16.0	6.0	13.0	PA66	Natural (NT)
LKCSF1	40.0	19.0	16.0	6.0	13.0	PA66	Black (BK)
LKCRF1	23.82	11.91	3.99	6.35	4.8	PA66	Black (BK)
LKCRF1	23.82	11.91	3.99	6.35	4.8	PA66	Natural (NT)
NY3256	13.5	12.0	7.8	3.0	8.0	PA66	Natural (NT)
NY3343	16.0	18.0	8.0	3.0	12.0	PA66	Natural (NT)

All dimensions in mm. Subject to technical changes.



Please Note for Product Specific Approvals please refer to Appendix.

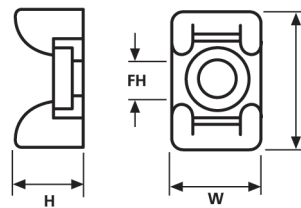
## KR Cable Tie Mounts

### Features and Benefits

KR mounts give additional support to the cables by means of their curved design. Simple to install with a screw or bolt they give excellent security, particularly in areas of high vibration when used in conjunction with the KR straps. They offer one of the most vibration resistant fixings available.

### Application

Designed specifically for holding heavier cable bundles, these mounting bases can be used in many industries from agriculture to truck manufacture, they offer a very secure fixing and can be used with a wide variety of heavy duty cable ties up to 7.6 mm wide.



Cable Tie Mounts KR6G5 and KR8G5

#### Material Data

RoHS	Material	Polyamide 6.6 (PA66)
	Colour	Natural (NT)
	Operating Temperature	-40°C to +85°C Continuous, (+105°C for 500 h)
	Flammability	UL94 V2

#### Material Data

RoHS	Material	Polyamide 6.6 UV Resistant (PA66W)
	Colour	Black (BK)
	Operating Temperature	-40°C to +85°C Continuous, (+105°C for 500 h)
	Flammability	UL94 V2

#### Material Data

RoHS	Material	Polyamide 6.6 Heat Stabilised (PA66HS)
	Colour	Black (BK)
	Operating Temperature	-40°C to +105°C Continuous, (+145°C for 500 h)
	Flammability	UL94 V2

#### Product Selection

Code	Length (L)	Width (W)	Height (H)	Fixing Hole Ø (FH)	Strap Width max. (G)	Material	Colour
KR6G5	18.0	12.0	9.0	4.5	6.0	PA66	Natural (NT)
KR6G5	18.0	12.0	9.0	4.5	6.0	PA66W	Black (BK)
KR6G5	18.0	12.0	9.0	4.5	6.0	PA66	Black (BK)
KR8G5	25.0	14.5	12.0	6.5	8.0	PA66	Natural (NT)
KR8G5	25.0	14.5	12.0	6.5	8.0	PA66HS	Black (BK)

All dimensions in mm. Subject to technical changes.

## LKM, CL8 and FH Cable Tie Mounts

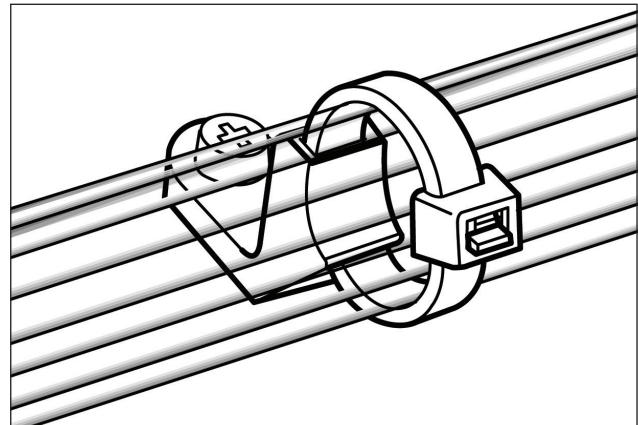
### Features and Benefits

With these screwfix mounts it is possible to install the cable sideways. The FH mounts feature a compact design.

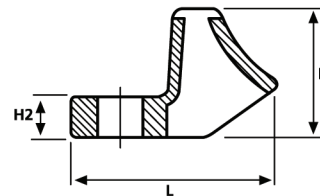
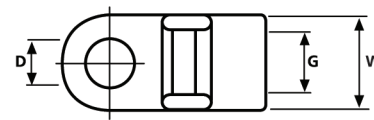
The CL8 mounts are ideal for securing large, heavier, bundles and will accept cable ties up to 8mm wide.

### Application

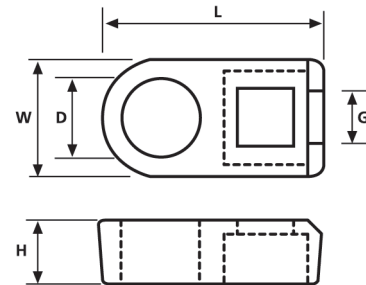
In areas with limited space these mounting bases allow the cable to be offset from the fixing hole, and can be installed in the equipment prior to the cable installation. A major cost saving can be made by using these products as many different sizes of standard cable ties can be used, reducing the need to stock a wide range of specific fixing ties.



LKM Cable Tie Mounts



LKM Cable Tie Mounts



FH Cable Tie Mounts

#### Material Data

RoHS	Material	Polyamide 6.6 (PA66)	HF (halogenfree)
	Colour	Natural (NT), Black (BK)	
	Operating Temperature	-40°C to +85°C Continuous, (+105°C for 500 h)	
	Flammability	UL94 V2	

#### Material Data

RoHS	Material	Polyamide 6.6 UV Resistant (PA66W)	HF (halogenfree)
	Colour	Black (BK)	
	Operating Temperature	-40°C to +85°C Continuous, (+105°C for 500 h)	
	Flammability	UL94 V2	

#### Product Selection

Code	Length (L)	Width (W)	Height (H)	Height (H2)	Fixing Hole Ø (FH)	Strap Width max. (G)	Material	Colour
CL8	27.3	12.5	16.0	5.0	6.5	8.0	PA66	Natural (NT)
CL8	27.3	12.5	16.0	5.0	6.5	8.0	PA66	Black (BK)
CL8	27.3	12.5	16.0	5.0	6.5	8.0	PA66W	Black (BK)
FH18	13.3	7.1	4.0	–	3.7	2.5	PA66	Natural (NT)
FH30	17.9	9.5	4.7	–	5.5	3.5	PA66	Natural (NT)
FH50	22.2	11.3	6.2	–	7.1	4.6	PA66	Natural (NT)
LKM	27.0	12.0	16.0	5.0	6.0	7.6	PA66	Black (BK)
LKM	27.0	12.0	16.0	5.0	6.0	7.6	PA66	Natural (NT)

All dimensions in mm. Subject to technical changes.

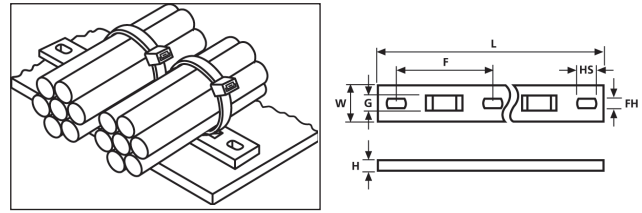
## Mounting Plates Types MP and MSMP

### Features and Benefits

Allowing multiple cables to be run in parallel these mounting plates are simply fixed by two screws. The cables are attached to the mounting plate by using a cable tie through any combination of the available slots.

### Application

Many applications require each cable run to be firmly held in place but separately from adjacent cable runs (example - control cabinets, machinery and military systems). The MP series of mounts help achieve this.



Mounting Plates Types MP and MSMP

#### Material Data

RoHS	Material	Polyamide 6.6 (PA66)
	Colour	Natural (NT)
	Operating Temperature	-40°C to +85°C Continuous, (+105°C for 500 h)
	Flammability	UL94 V2

#### Product Selection

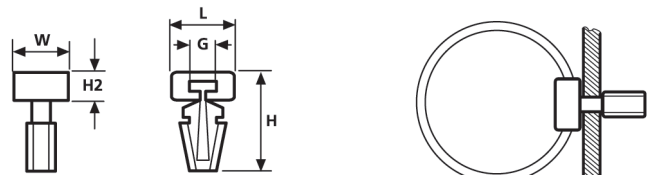
Code	Length (L)	Width (W)	Height (H)	Fixing Hole Ø (FH)	Fixing Hole Centers (F)	Hole Size (HS)	Strap Width max. (G)	Material	No. of bundles
MP2M3	76.2	12.7	3.2	3.5	31.8	6.4	5.2	PA66	2
MP3M3	108.0	12.7	3.2	3.7	31.8	6.4	5.2	PA66	3
MP4M3	139.8	12.7	3.2	3.7	31.8	6.4	5.2	PA66	4
MSMP4	167.0	15.9	5.2	5.1	19.05	7.6	8.2	PA66	4
MP5M3	171.6	12.7	3.2	3.7	31.8	6.4	5.2	PA66	5
MSMP5	204.0	15.7	5.3	5.1	38	7.7	8.2	PA66	5
MSMP6	242.0	15.7	5.3	5.1	38	7.7	8.2	PA66	6

All dimensions in mm. Subject to technical changes.

## Cable Fixing Accessory TM1SF

### Features and Benefits

The TM1SF mount is ideal for applications with restricted access, or where space saving is required. The arrowhead simply pushes into a pre-drilled or pre-punched hole giving a very secure fixing.



TM1SF Fixing Base

TM1SF Fixing Base

#### Product Selection

Code	Length (L)	Width (W)	Height (H)	Height (H2)	Fixing Hole Ø (FH)	Panel Thickness max.	Strap Width max. (G)	Material	Colour
TM1SF	10.2	7.6	15.6	4.6	6.3	3.4	5.2	PA66	Natural (NT)

All dimensions in mm. Subject to technical changes.



Please Note for Product Specific Approvals please refer to Appendix.



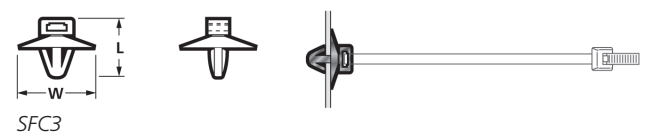
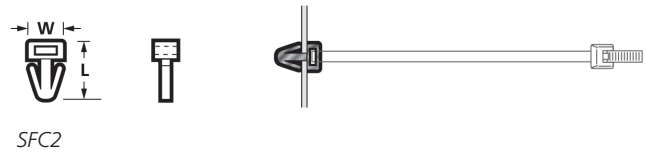
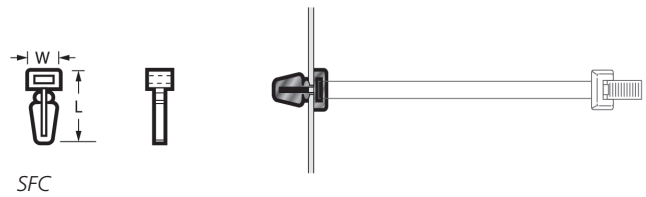
## SFC Arrowhead Cradle

### Features and Benefits

Arrowhead fixing for use in pre-drilled or punched holes. Provides secure cradle for use with HellermannTyton cable ties. SFC and SFC2 for ties up to 4.8 mm width. SFC3 will accept ties up to 8 mm width.

### Application

Offering simple and easy methods of securing cables or pipes these fixing accessories have many applications within a wide range of industries.



### Material Data

<b>RoHS</b>	Material	Polyamide 6.6 (PA66)
	Operating Temperature	-40°C to +85°C Continuous, (+105°C for 500 h)
	Flammability	UL94 V2
	<b>HF</b> (halogenfree)	

### Product Selection

Code	Length (L)	Width (W)	Fixing Hole Ø (FH)	Panel Thickness min.	Panel Thickness max.	Material	Colour
SFC	18.0	11.0	6.0	–	3.2	PA66	Natural (NT)
SFC2	14,5	6.0	6.0	–	1.0	PA66	Natural (NT)
SFC3	7.3	22.0	6.3	0.8	1.8	PA66	Natural (NT)
SFC3	7.3	22.0	6.3	0.8	1.8	PA66	Black (BK)

All dimensions in mm. Subject to technical changes.

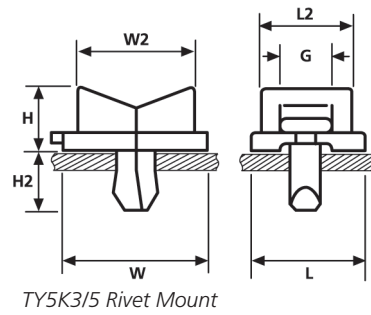
### TY5 Rivet Mount

#### Features and Benefits

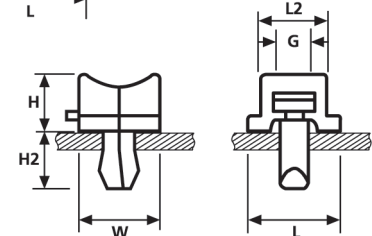
Quick installation is one of the key features of the TY mounts. Consisting of a two piece 'wedge' the fixing is easily inserted using special tools. The special 'diagonal' design of the fixing guarantees a secure installation at all times. Once installed the TY mounts offer a firm fixing for a wide variety of cable ties.

#### Application

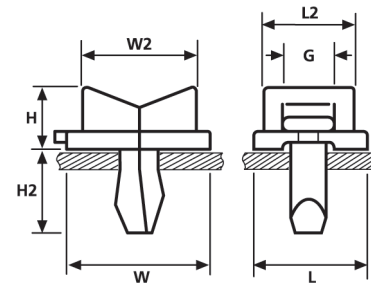
The TY Fixings are ideal for use where a high pull out force is required (e.g. in the aircraft industry). The two piece 'wedge' ensures that once installed the mounts will not come away from the panel. Particularly designed for areas with restricted access.



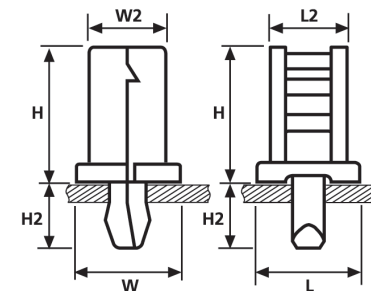
TY5K3/5 Rivet Mount



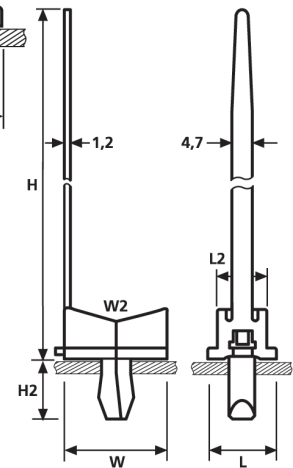
TY5K2 Rivet Mount



TY5K3 Rivet Mount



TY5K1 Rivet Mount



TY5K4 Rivet Mount

#### Material Data

RoHS	Material	Polyamide 6.6 Heat Stabilised (PA66HS)
	Colour	Natural (NT)
	Operating Temperature	-40°C to +105°C Continuous, (+145°C for 500 h)
	Flammability	UL94 V2

#### Technical Table

Code	Length (L)	Length (L2)	Width (W)	Width (W2)	Height (H)	Height (H2)	Strap Width max (FH)	Fixing Hole Ø (FH)	Panel Thickness min.	Panel Thickness max.	Material	Colour	Application Tool
TY5K1**	15.0	11.0	14.8	10.8	18.3	9.5	5.5	5.0-5.3	1.0	3.0	PA66HS	Natural (NT)	TY5K1/I
TY5K2	14.0	10.0	12.0	-	7.8	9.5	5.5	4.9-5.3	1.0	5.0	PA66HS	Natural (NT)	TY5K1/I
TY5K3	18.0	14.0	22.0	17.0	10.0	12.5	9.3	5.9-6.4	2.0	8.0	PA66HS	Natural (NT)	TY5K1/I
TY5K3/5	18.0	14.0	22.0	17.0	10.0	9.5	9.3	4.9-5.3	1.0	5.0	PA66HS	Natural (NT)	TY5K1/I
TY5K4	14.0	10.0	22.0	-	175.0	12.5	-	5.9-6.4	2.0	8.0	PA66HS	Natural (NT)	-

All dimensions in mm. Subject to technical changes.

\*\*Norm NSA 935513-05

## WPC - Wire Push In Clips

### Features and Benefits

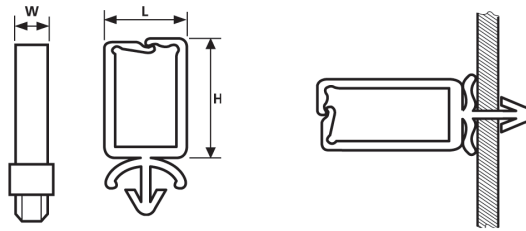
The shape of the clips ensures that they can accept either single or multiple cables, whilst the design of the cable entry allows cables to be simply pushed into place. The self-locking feature ensures that once inside the clip the wires cannot be removed accidentally. The arrowhead design of fixing ensures simple and secure installation and only needs access to the panel from one side.

### Application

With the increased complexity of electronic and electrical installations the use of the WPC clips enable cables to be installed using the minimum amount of space, a typical application would be in the frames/rails of control cabinets.



WPC - Wire Push In Clip.



WPC5-20 - Wire Push In Clip

Technical Table

Type	Length (L)	Width (W)	Height (H)	Fixing Hole Ø (FH)	Panel Thickness min.	Panel Thickness max.
WPC5	15.0	5.25	12.7	4.75	0.8	4.0
WPC10	15.0	5.25	17.7	4.75	0.8	4.0
WPC15	15.0	5.25	22.7	4.75	0.8	4.0
WPC20	15.0	5.25	27.7	4.75	0.8	4.0

All dimensions in mm. Subject to technical changes.

Material Data

RoHS	Material	Polyamide 6.6 (PA66)
	Colour	Natural (NT)
	Operating Temperature	-40°C to +85°C Continuous, (+105°C for 500 h)
	Flammability	UL94 V2

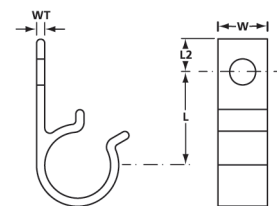
## Screw Mount D-Clip

### Features and Benefits

Screwed D-clips are available in 3 sizes and guarantee time and cost saving by simply pressing the cable into the holder. The flexible grip means that later removal or replacement of cables and pipes is possible. Three different bore diameters for fixing the holder are available.



The clip is held in place by a screw and the bundled cable or pipe is guided securely.



D-Clip

Technical Table

Code	Length (L)	Length (L2)	Width (W)	Wall (WT)	Fixing Hole Ø (FH)	Bundle Ø max.
4D10	17.0	8.0	15.0	2.0	4.0	10.0
4D15	25.0	10.0	15.0	2.0	4.0	15.0
4D20	28.0	10.0	15.0	2.5	4.0	20.0
6D10	17.0	8.0	15.0	2.0	6.0	10.0
6D15	25.0	10.0	15.0	2.0	6.0	15.0
6D20	28.0	10.0	15.0	2.5	6.0	20.0
8D10	17.0	8.0	15.0	2.0	8.0	10.0
8D15	25.0	10.0	15.0	2.0	8.0	15.0
8D20	28.0	10.0	15.0	2.5	8.0	20.0

All dimensions in mm. Subject to technical changes.

Material Data

RoHS	Material	Polyacetal (POM)
	Colour	Black (BK)
	Operating Temperature	-40°C to +90°C Continuous, (+110°C for 500 h)
	Flammability	UL94 HB

## LOK Fixing Base

### Features and Benefits

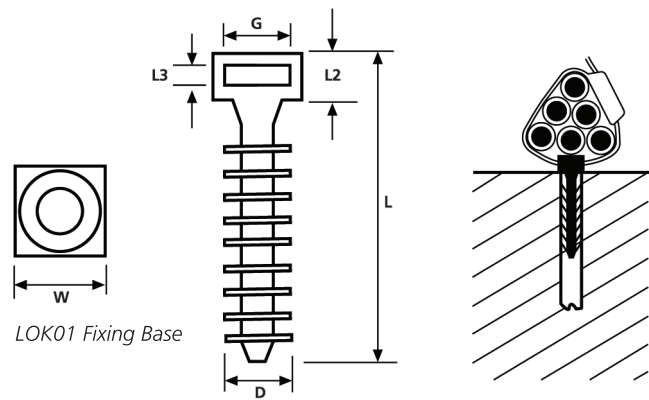
The LOK01 - LOK05 were primarily designed to be used with the RPE and PE series of cable ties but will function just as well with any cable ties up to 9 mm wide.

Suitable for use in a wide range of materials including, concrete, brick, block or wood.

Installed by knocking into a 7 mm or 8 mm diameter hole (depending on the material). The LOK01B is designed for soft brickwork and 6 mm holes. Because of its elongated head, the bundles can be located at a distance from the brickwork with the LOK05.

### Application

The LOK mounts, in conjunction with a cable tie can be used either indoors or outdoors for a diverse range of applications from holding climbing plants, to securing cables running between buildings.



#### Material Data

<b>RoHS</b>	Material	Polyamide 6.6 (PA66)
	Colour	Black (BK)
	Operating Temperature	-40°C to +85°C Continuous, (+105°C for 500 h)
	Flammability	UL94 V2

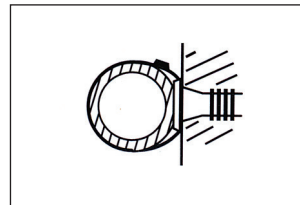
#### Technical Table

Code	Length (L)	Length (L2)	Length (L3)	Width (W)	Ø D	Strap Width max. (G)	Fixing Hole Ø (FH)
LOK01	44.0	6.5	2.5	12.0	9.2	9.0	7.0-8.0
LOK01B	30.0	6.5	2.5	12.0	7.2	9.0	6.0
LOK01S	34.0	6.5	2.5	12.0	9.2	9.0	7.0-8.0
LOK05	49.0	12.5	2.5	12.0	9.2	9.0	7.0-8.0

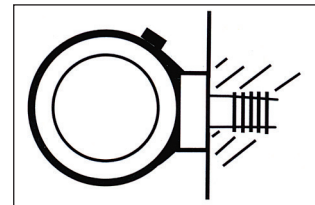
All dimensions in mm. Subject to technical changes.

## EasyHold Fastening Systems

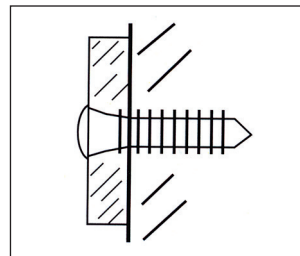
- Standard colours: Black / White
  - Suited for fixing cables and pipes up to 100mm diameter
  - Can withstand a pull out force of up to 100kg
  - Easy installation: drill the recommended hole size, hammer the Easyhold plug into place and easily secure cable or pipe with suitable cable tie.
- Note: Black is UV stabilised, White is for use indoors*
- Suitable for use by Electricians, Plumbers and DIY.
  - SABS tests available upon request.
  - Manufactured from super-tough nylon



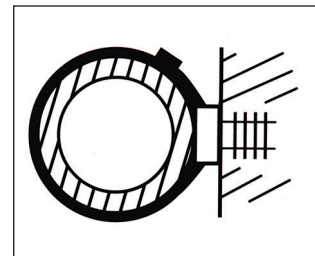
EasyHold Miniplugs



EasyHold Plugs



EasyHold Anchors

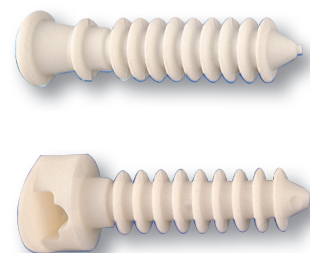


EasyHold Maxiplugs

#### Technical Table

Code	Diameter (mm)	Drill Size (mm)	Cable Tie	Pull-out Force
EH1\$5	5mm	5mm	T18R (104 x 2.5mm)	Mini fixing applications
EH1\$6	6mm	6-7mm	T30R (150 x 3.5mm)	Mini fixing applications
EH1\$8	8mm	8mm	T50R (205 x 4.7mm)	100kg
EH1\$10	10mm	10mm	T120R (395 x 7.8mm)	100kg

All dimensions in mm. Subject to technical changes.



## Cable Fixing Accessories Tape Clip, COW Series and CH Series

### Features and Benefits

The simple design of CH20 clips makes them both versatile and easy to install. The COW clips can be used as a conventional tape-on clip or assembled with a cable tie to fix the harness in place. They can be purchased separately or ready assembled. The COW clips can be used as a conventional tape-on clip or assembled with a cable tie to fix the harness in place. They can be purchased separately or ready assembled.

### Application

Originally designed for the automotive industry, these clips offer simple and easy methods of securing cable hoses or pipes. They have many applications within a wide range of industries.

#### Material Data

<b>RoHS</b>	Material	Polyamide 6.6 (PA66)	<b>HF</b> (halogenfree)
	Operating Temperature	-40°C to +85°C Continuous, (+105°C for 500 h)	
	Flammability	UL94 V2	

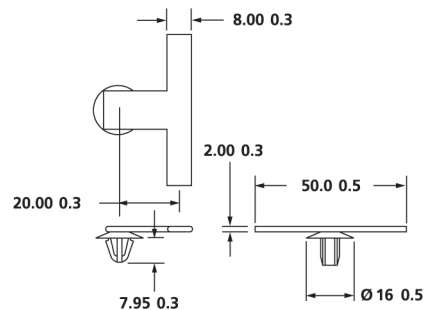
#### Material Data

<b>RoHS</b>	Material	Polyamide 6.6 Heat Stabilised (PA66HS)	<b>HF</b> (halogenfree)
	Operating Temperature	-40°C to +105°C Continuous, (+145°C for 500 h)	
	Flammability	UL94 V2	

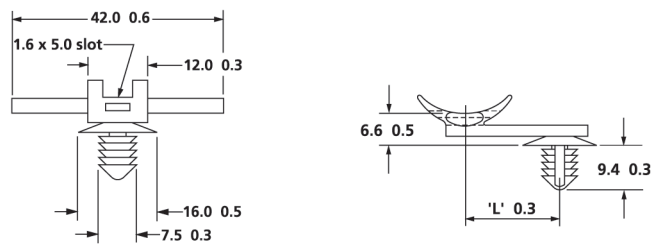
#### Product Selection

Code	Fixing Hole Ø (FH)	Panel Thickness min.	Panel Thickness max.	Material	Colour
CHA1	6.3-7.0	0.5	1.2	PA66HS	Black (BK)
CHA2	6.5-7.0	0.8	2.0	PA66	Black (BK)
TC2FT6LG	6.3-7.0	0.6	5.1	PA66HIRHS	Black (BK)
TC5FT6S	6.5-7.0	0.75	1.5	PA66HIRHS	Black (BK)
CHDP66	6.6	0.8	4.5	PA66	Black (BK)

All dimensions in mm. Subject to technical changes.



CH Series



COW Clip



COW Clip

## Cable Fixing Accessories Tape Clip, TC and CH Series

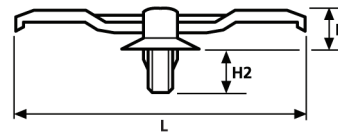
### Features and Benefits

Various TapeClips have been developed especially for banding of cables and cable looms. The cable looms are fastened onto the winding bar by means of twine, adhesive tape or cable ties.

The various fixing types allow the use in a wide variety of metal plates and hole diameters. The base of the CHA holder can be moved along the axis in order to equalise tolerances. The TapeClip CHDP66 is noted for its vertical winder bar, which means that 2 leads or cable bundles can be run in parallel.

### Application

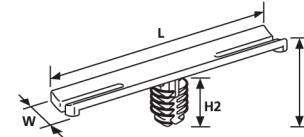
Originally designed for the Automotive industry, these clips offer simple and easy methods of securing cable hoses or pipes. They have many applications within a wide range of industries.



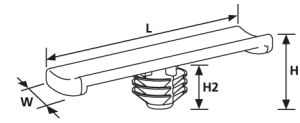
TapeClip CHA1



TapeClip CHA2



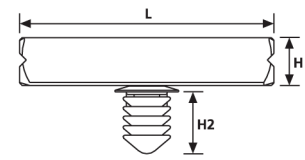
TapeClip TC2FT6LG



TapeClip TC5FT6S



TapeClip CHDP66



TapeClip CHDP66

#### Material Data

RoHS	Material	Polyamide 6.6 High Impact Modified, Heat Stabilised PA66HIRHS)
	Colour	Black (BK)
	Operating Temperature	40°C to +105°C
	Flammability	UL94 HB

#### Material Data

RoHS	Material	Polyamide 6.6 (PA66)
	Colour	Black (BK)
	Operating Temperature	-40°C to +85°C Continuous, (+105°C for 500 h)
	Flammability	UL94 V2
	HF (halogenfree)	

#### Material Data

RoHS	Material	Polyamide 6.6 Heat Stabilised (PA66HS)
	Colour	Black (BK)
	Operating Temperature	-40°C to +105°C Continuous, (+145°C for 500 h)
	Flammability	UL94 V2
	HF (halogenfree)	

#### Technical Table

Code	Length (L)	Width (W)	Height (H)	Height (H2)	Fixing Hole Ø (FH)	Panel Thickness min.	Panel Thickness max.	Material	Colour
CHA1	54.0	6.0	7.7	8.2	6.3-7.0	0.5	1.2	PA66HS	Black (BK)
CHA2	54.0	6.0	7.7	8.0	6.5-7.0	0.8	2.0	PA66	Black (BK)
TC2FT6LG	55.0	9.0	12.5	11.0	6.3-7.0	0.6	5.1	PA66HIRHS	Black (BK)
TC5FT6S	37.0	8.0	8.2	5.0	6.5-7.0	0.75	1.5	PA66HIRHS	Black (BK)
CHDP66	40.0	10.0	8.5	9.7	6.6	0.8	4.5	PA66	Black (BK)

All dimensions in mm. Subject to technical changes.

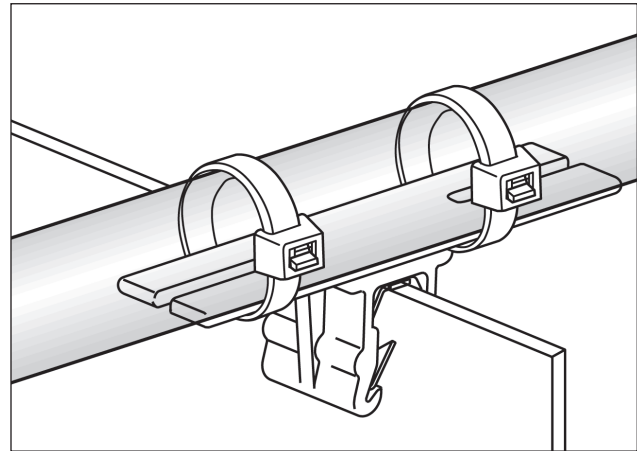
## Cable Fixing Accessories Edge Clip

### Features and Benefits

Edge Clip mounting solutions stand out for the ease with which they can be fitted. They are installed simply by pressing onto a plastic or metal edge. EC7 cables and leads can be located by simply laying them into the holder. EC14 to EC17 cables can be fastened to the cable bundle by using a cable tie or adhesive tape.

### Application

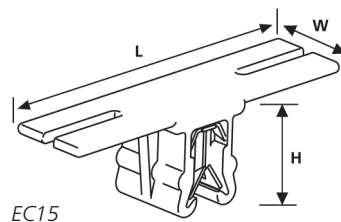
These elements are used, for example, in the automotive industry and electrical industry and wherever it is impossible to drill holes or no other fixing points are available.



Cables and leads can be fastened with a cable tie or adhesive tape to the bars of the mounting element.

#### Material Data

RoHS	Material	Polyamide 6.6 High Impact Modified, Heat Stabilised (PA66HIRHS)
	Colour	Black (BK)
	Operating Temperature	-40°C to +105°C
	Flammability	UL94 HB



EC15

#### Technical Table

Code	Length (L)	Width (W)	Height (H)	Bundle Ø max.	Panel Thickness min.	Panel Thickness max.	Drawing
EC7	24.4	10.0	–	13.5	1.0	3.0	
EC14	40.0	10.0	12.4	–	1.0	3.0	
EC15	40.0	10.0	12.4	–	1.0	3.0	
EC16	40.0	10.0	13.0	–	1.0	3.0	
EC17	46.5	10.0	13.0	–	1.0	3.0	

All dimensions in mm. Subject to technical changes.

## HP & NX Plastic P-Clips

### Features and Benefits

Manufactured from Nylon these P-Clips offer good temperature resistance as well as offering high strength. A feature of the NX clips is their versatility to accept cables of differing sizes through the use of a range of fixing holes - this feature enables users to minimise stock holding of a large range of clips.

### Application

For permanent, or semi-permanent cable fixings this range of P-Clips can be used in many industries. Their light weight makes them particularly suitable for use in areas such as aircraft and aerospace where minimising weight, but retaining a strong fixing, is vitally important.



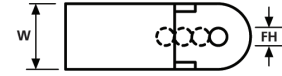
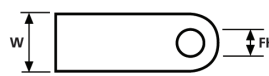
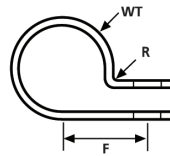
P-Clip NX.

#### Material Data

RoHS	Material	Polyamide 6.6 Heat Stabilised (PA66HS)
	Colour	Black (BK)
	Operating Temperature	-40°C to +105°C Continuous, (+145°C for 500 h)
	Flammability	UL94 V2



(halogenfree)



P-Clip H1P-H18P

P-Clip NX8-14

#### Material Data

RoHS	Material	Polyamide 6.6 (PA66)
	Colour	Natural (NT), Black (BK)
	Operating Temperature	-40°C to +85°C Continuous, (+105°C for 500 h)
	Flammability	UL94 V2



(halogenfree)

#### Technical Table

Code	Type	Width (W)	Wall (WT)	Fixing Hole Ø (FH)	Bundle Ø max.	Fixing Hole Centres (F)	Radius (R)	Material	Colour
*NX0	H1P	10.0	0.8	4.2	3.2	8.5	0.5	PA66HS	Black (BK)
*NX1	H2P	10.0	1.0	4.2	5.0	9.5	1.0	PA66HS	Black (BK)
*NX2	H3P	10.0	1.0	4.2	6.5	10.0	1.0	PA66HS	Black (BK)
*NX3	H4P	10.0	1.2	4.2	8.0	10.0	1.0	PA66HS	Black (BK)
*NX3	H4P	10.0	1.2	4.2	8.0	10.0	1.0	PA66	Natural (NT)
*NX4	H5P	10.0	1.2	4.2	9.5	11.0	1.0	PA66HS	Black (BK)
*NX5	H6P	10.0	1.2	4.2	11.0	13.0	1.0	PA66HS	Black (BK)
*NX6	H7P	10.0	1.2	4.2	12.5	14.0	1.5	PA66HS	Black (BK)
*NX8	NX8	10.0	1.3	4.2	12.5	14.0	1.5	PA66	Black (BK)
*NX11	NX11	12.6	1.3	4.2	20.0	14.0	1.5	PA66	Black (BK)
	H1P	10.0	0.8	4.2	3.2	8.5	0.5	PA66	Natural (NT), Black (BK)
	H2P	10.0	1.0	4.2	5.0	9.5	1.0	PA66	-
	H3P	10.0	1.0	4.2	6.5	10.0	1.0	PA66	Natural (NT)
	H5P	10.0	1.2	4.2	9.5	11.0	1.0	PA66	Natural (NT)
	H6P	10.0	1.2	4.2	11.0	13.0	1.0	PA66	Natural (NT)
	H7P	10.0	1.2	4.2	12.5	14.0	1.5	PA66	Natural (NT)
	H8P	10.0	1.5	4.2	14.0	15.0	1.5	PA66HS	Black (BK)
	H8P	10.0	1.5	4.2	14.0	15.0	1.5	PA66	Natural (NT)
	H9P	10.0	1.5	4.2	16.0	16.0	1.5	PA66	Natural (NT)
	H10P	10.0	1.5	4.2	17.5	17.0	1.5	PA66	Natural (NT)
	H11P	10.0	1.5	4.2	19.0	18.0	2.0	PA66	Natural (NT)
	H12P	10.0	1.5	4.2	20.5	19.0	2.0	PA66	Natural (NT)
	H13P	12.0	1.5	5.2	22.0	20.5	2.0	PA66	Natural (NT)
	H14P	12.0	1.5	5.2	24.0	21.5	2.0	PA66	Natural (NT)
	H15P	12.0	1.5	5.2	25.5	23.0	2.5	PA66	Natural (NT)
	H16P	12.0	1.5	5.2	28.5	24.0	2.5	PA66	Natural (NT)
	H17P	12.0	1.5	5.2	31.5	26.0	2.5	PA66	Natural (NT)
	H18P	12.0	1.5	5.2	35.0	27.5	2.5	PA66	Natural (NT)

All dimensions in mm. Subject to technical changes.

\* Local Product

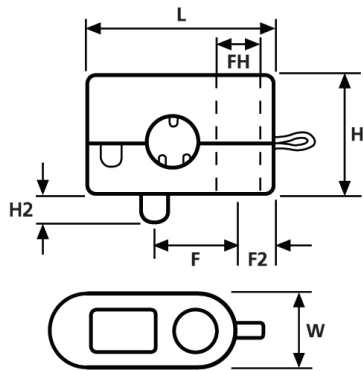
Standard Colour - Black (BK) / Natural (NT) on request



## Klam-Klip (KK)

### Features and Benefits

Klam-Klips guide and secure leads with a simple 1-screw fixing. The two halves of the clip are linked to ensure that parts are not lost during any re-wiring and an anti-rotation pin ensures that the leads do not become twisted during installation of the screw.



Klam-Klip Cable Restraints



Klam-Klip KK1-4.

### Material Data

RoHS	Material	Polyamide 6.6 (PA66)
	Colour	Black (BK)
	Operating Temperature	-40°C to +85°C Continuous, (+105°C for 500 h)
	Flammability	UL94 V2

### Technical Table

Code	Length (L)	Width (W)	Height (H)	Height (H2)	Fixing Hole Ø (FH)	Bundle Ø min.	Fixing Hole Centres (F2)	Fixing Hole Centres (F3)
KK1	22.0	8.8	14.0	3.5	5.0	4.5	10.0	4.5
KK2	22.0	8.8	14.0	3.5	5.0	5.5	10.0	4.5
KK3	22.0	8.8	14.0	3.5	5.0	6.5	10.0	4.5
KK4	22.0	8.8	14.0	3.5	5.0	7.5	10.0	4.5

All dimensions in mm. Subject to technical changes.

## Klam-Bush (KB)

### Features and Benefits

Acting as both a bush to protect the cable and a stress relief to avoid pulling the wires from their connections the KB range are simple to install using just 1 screw.

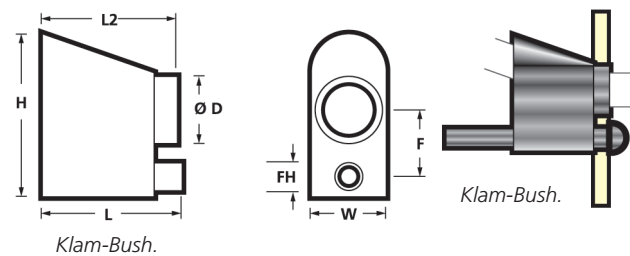
#### Material Data

RoHS	Material	Polyamide 6.6 (PA66)
	Colour	Black (BK)
	Operating Temperature	-40°C to +85°C Continuous, (+105°C for 500 h)
	Flammability	UL94 V2

HF  
(halogenfree)



Klam-Bush - ideal for domestic appliances.



#### Technical Table

Code	Fixing Hole Centres (F)	Ø D	Fixing Hole Ø (FH)	Height (H)	Length (L2)	Length (L)	Width (W)	Bundle Ø min.	Bundle Ø min.	Material Shortcut
KB1	12.7	9.5	5.3	27.0	18.6	20.3	10.7	3.8	6.0	PA66
KB2	12.7	12.6	5.3	31.1	26.4	26.4	14.3	6.0	8.5	PA66
KB3	15.7	15.8	5.3	38.5	26.4	26.4	17.5	8.0	10.5	PA66
KB4	15.9	19.0	5.3	42.0	31.0	31.0	20.9	10.0	15.0	PA66

All Dimensions in mm. Subject to technical changes.

## TriKlamp

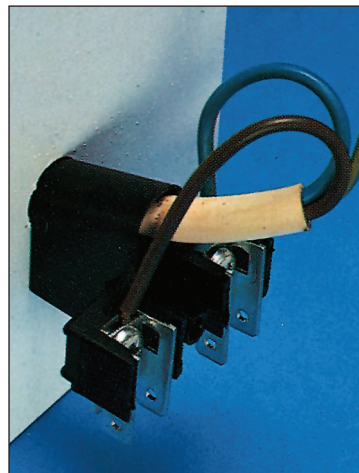
### Features and Benefits

Acting as a bush to protect the cable, a stress relief to avoid pulling the wires from their connections and the possibility to terminate the cables, the TK cable restraints are simple to install using just one screw.

#### Technical Table

Code	Length (L)	Width (W)	Fixing Hole Ø (FH)	Bundle Ø min.	Material Shortcut
TK2	70.4	36.5	5.1	6.0	PA66

All dimensions in mm. Subject to technical changes.



TriKlamp - Cable restraint and termination in one.

